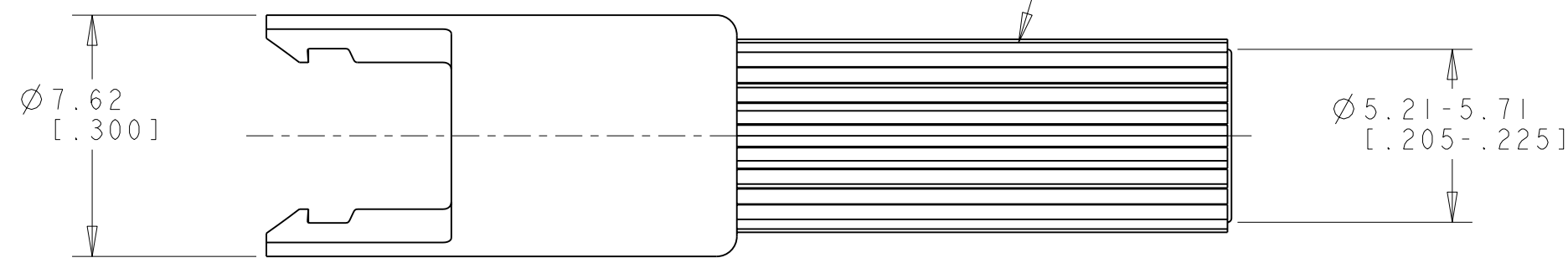
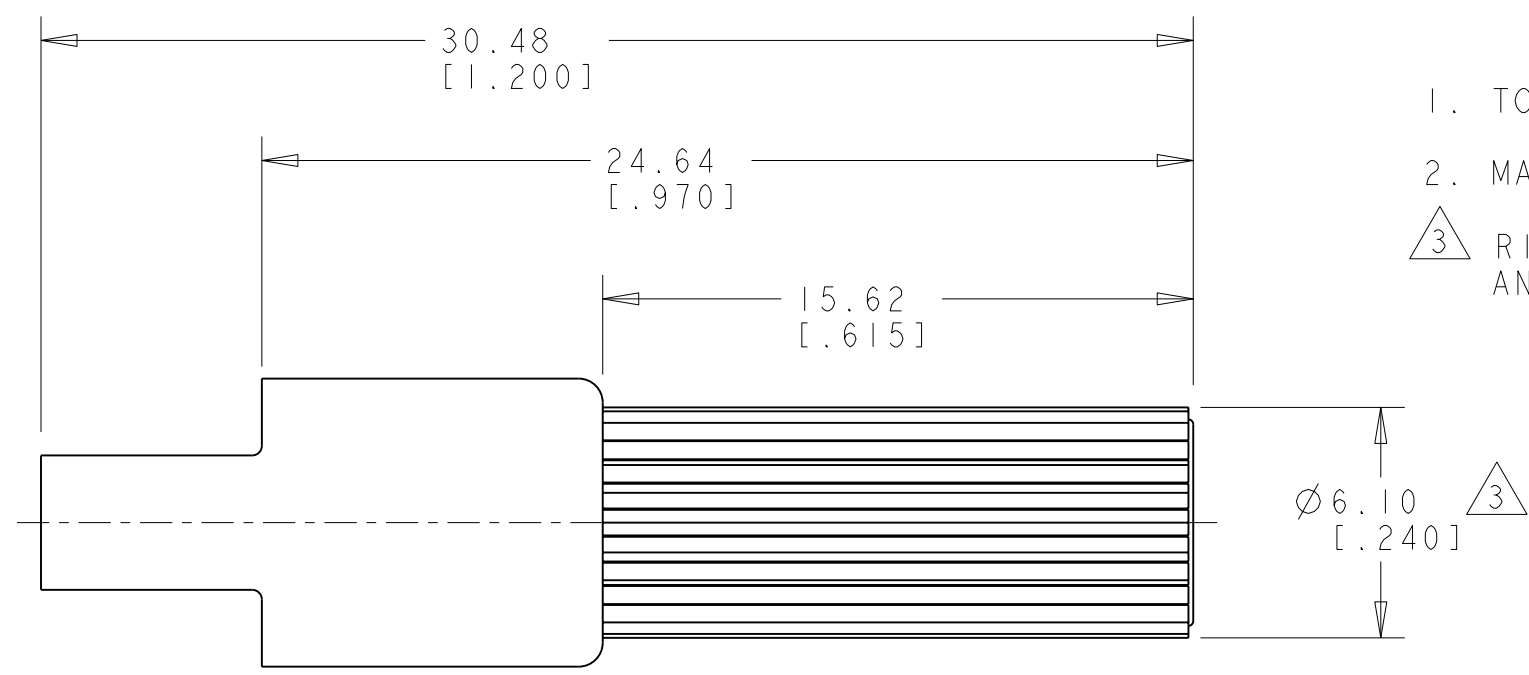
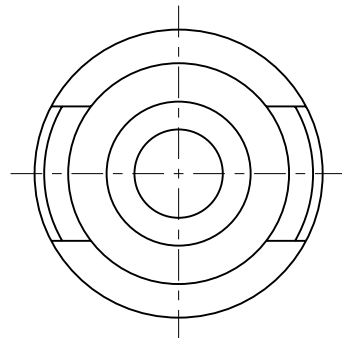


LOC CM DIST 00

REVISIONS

P	LTR	DESCRIPTION	DATE	DWN	APVD
	L	REVISED PER 0G3B-0652-03	09-OCT-03	SH	DC
	M	REVISED PER ECO-05-012615	27JAN06	KW	DC

- 1. TO BE USED WITH MATE-N-LOK™ PINS
- 2. MATES WITH PLUG 480349.
- 3 RIBS ARE OPTIONAL CONSTRUCTION AND MAY NOT APPEAR ON PART.



RED	1-480350-2
NATURAL	1-480350-0
COLOR	PART NUMBER

METRIC

THIS DRAWING IS A CONTROLLED DOCUMENT FOR TYCO ELECTRONICS CORPORATION IT IS SUBJECT TO CHANGE AND THE CONTROLLING ENGINEERING ORGANIZATION SHOULD BE CONTACTED FOR THE LATEST REVISION.

DIMENSIONS: mm [INCHES]		TOLERANCES UNLESS OTHERWISE SPECIFIED:	
		0 PLC	±
		1 PLC	±
		2 PLC	±0.13 [.005]
		3 PLC	±
		4 PLC	±
MATERIAL NYLON, 94V-2		FINISH	

DWN	22-MAR-2002
CHK	K. WHITAKER
APVD	22-MAR-2002
APVD	D. COLEY
APVD	22-MAR-2002
APVD	D. COLEY
PRODUCT SPEC	
APPLICATION SPEC	
WEIGHT	
CUSTOMER DRAWING	

tyco Electronics		Tyco Electronics Harrisburg, PA 17105-3608	
NAME CAP, SINGLE CIRCUIT, COMMERCIAL MATE-N-LOK(TM)			
SIZE	CAGE CODE	DRAWING NO	RESTRICTED TO
A3	00779	©-480350	
SCALE 5:1		SHEET 1	OF 1
		REV	M